



**Datacard® SD/CD™ Series Card Printers
User's Guide**

April 2013

Part No. 527248-001 Rev. C

Notice

Please do not attempt to operate or repair this equipment without adequate training. Any use, operation, or repair you perform that is not in accordance with the information contained in this documentation is at your own risk.

Proprietary Notice

All drawings and information herein are the property of DataCard Corporation. All unauthorized use and reproduction is prohibited.

Trademark Acknowledgments

Datacard is a registered trademark and service mark of DataCard Corporation in the United States and other countries.

SD and CD are trademarks of DataCard Corporation.

Windows is a registered trademark of Microsoft Corporation.

All other product names are the property of their respective owners.

Datacard Group

11111 Bren Road West
Minnetonka, MN 55343-9015
Phone: 952-933-1223
Fax: 952-933-7971
www.datacard.com

©2012, 2013 DataCard Corporation. All rights reserved.
Printed in the United States of America.

Compliance Statements

Liability Statement

The WARNING and CAUTION labels have been placed on the equipment for your safety. Please do not attempt to operate or repair this equipment without adequate training. Any use, operation or repair in contravention of this document is at your own risk.

Safety

All Datacard® products are built to strict safety specifications in accordance with CSA/UL60950-1 requirements and the Low Voltage Directive 2006/95/EC.

Therefore, safety issues pertaining to operation and repair of **Datacard®** equipment are primarily environmental and human interface.

The following basic safety tips are given to ensure safe installation, operation and maintenance of **Datacard®** equipment.

- Connect equipment to a grounded power source. Do not defeat or bypass the ground lead.
- Place the equipment on a stable surface (table) and ensure floors in the work area are dry and non-slip.
- Know the location of equipment branch circuit interrupters or circuit breakers and how to turn them on and off in case of emergency.
- Know the location of fire extinguishers and how to use them. ABC type extinguishers may be used on electrical fires.
- Know local procedures for first aid and emergency assistance at the customer facility.
- Use adequate lighting at the equipment location.
- Maintain the recommended temperature and humidity range in the equipment area.

Regulatory Compliance

Notice for USA (FCC notice)

This equipment has been tested and found to comply with the limits for Class A computing devices, pursuant to Part 15 of FCC rules. These limits are designed to provide reasonable protection against harmful interference when the equipment is operated in a commercial environment. This equipment generates, uses, and can radiate radio frequency energy. If this equipment is not installed and used in accordance with this instruction manual, it may cause harmful interference to radio communications. Operation of this equipment in a residential area is likely to cause harmful interference in which case the user will be required to correct the interference at their own expense. Changes or modifications not expressly approved by the party responsible for compliance could void the user's authority to operate the equipment.

Notice for Canada

This Device complies with Industry Canada License-exempt RSS standard(s). Operation is subject to the following two conditions: 1) this device may not cause interference, and 2) this device must accept any interference, including interference that may cause undesired operation of the device.

Cet appareil est conforme avec Industrie Canada RSS standard exemptes de licence(s). Son fonctionnement est soumis aux deux conditions suivantes: 1) ce dispositif ne peut causer des interférences, et 2) cet appareil doit accepter toute interférence, y compris les interférences qui peuvent causer un mauvais fonctionnement du dispositif.

Notice for Europe

The EU Declaration of Conformity can be found on **Datacard.com**

We hereby certify that this printer complies with EMC Directive 2004/108/EC, R&TTE Directive 1999/5/EC, and the EU RoHS Directive EU Directive 2011/65/EC. This printer conforms to Class A of EN 55022 and to EN 301 489-5. Operation of this equipment in a residential environment may possibly cause interference. In the event of interference, the users, at their own expense, will be required to take whatever measures are necessary to correct the problem.

Notice for China (Simplified Chinese)

警告

此为 A 级产品，在生活环境中，该产品可能会造成无线电干扰。在这种情况下，可能需要用户对干扰采取切实可行的措施。

Notice for Taiwan (Traditional Chinese)

警告使用者：
這是甲類的資訊產品，在居住的
環境中使用時，可能會造成射頻
干擾，在這種情況下，使用者會
被要求採用某些適當的對策。

Notice for Japan

Japanese Voluntary Control Council for Interference (VCCI) class A statement

この装置は、クラス A 情報技術装置です。この装置を家庭環境で使用すると電波妨害を引き起こすことがあります。この場合には使用者が適切な対策を講ずるよう要求されることがあります。 VCCI-A

Korea Communications Commission (KCC) statement

이 기기는 업무용(A급)으로 전자파적합기기로서 판매자 또는 사용자는 이 점을 주의하시기 바라며, 가정외의 지역에서 사용하는 것을 목적으로 합니다.

California Proposition 65 Compliance

WARNING: This product contains chemicals, including lead, known to the State of California to cause cancer, and birth defects or other reproductive harm. *Wash hands after handling.*

Revision Log
SD/CD Series Card Printers User's Guide

Revision	Date	Description of Changes
A	June 2012	First release of manual
B	Nov. 2012	Updates for XPS Card Printer Driver v. 4.0
C	April 2013	Updates for XPS Card Printer Driver v. 4.1



Contents

Chapter 1: Introduction	1
About this Manual	1
Intended Audience	1
Technical Support	1
Chapter 2: About the Printer	3
About the SD and CD Series Card Printers	3
Printer Components	4
Print Ribbon Cartridge	5
Printer with Input Hopper	6
Printer with Optional Multi-Card Hopper	7
Printer with Duplex Option	8
System Label	8
Chapter 3: Using the System	11
How the Card Travels	11
Card Printer System Overview	11
Equipment	11
Tasks and Users	12
Printer Controls	12
Power Button	12
LCD Panel Menus	13
User Button and Light	14
Down Arrow, Up Arrow, and Enter Key	14
Ribbon Light	15
Card Light	15
Retrieve the Printer IP Address	16
Print a Test Card	17
Load and Replace Supplies	18
Load Cards	18
Single Hopper	18
Optional Multi-Card Hopper	19
Load the Print Ribbon	19
Load the Cleaning Sleeve	20
Install the Ribbon Cartridge	21
Chapter 4: Printing Cards	23
Before Starting to Print	23
Print Cards	24
Print from ID Software	24
Print from Other Software	24
Chapter 5: System Maintenance	27
Clean the Printer	27
Clean the Printhead	28
Run a Cleaning Card	30
Single Hopper	30

Optional Multi-Hopper _____	33
Prepare the Printer for Cleaning _____	33
Clean the Printer _____	34
Clean the Hopper Rollers _____	35
Prepare the Printer for Use _____	36
Chapter 6: Troubleshooting _____	37
Locate a Problem Within the Card Production System _____	38
Locate a Problem with Basic Printer Functions _____	39
Installation Problems _____	40
USB Installation Troubleshooting _____	41
Network Installation Troubleshooting _____	42
Driver Problems _____	42
The card printer driver does not detect the network-connected printer _____	43
The card printer driver does not detect the USB-connected printer _____	43
Driver status or Windows print queue does not provide expected data _____	44
Card Appearance _____	44
Something did not print _____	45
Printing includes unexpected data _____	45
The color printing has flaws _____	46
The printing is too light _____	47
The printing is too dark _____	48
The monochrome printing has flaws _____	48
Magnetic Stripe Problems _____	49
Use Advanced Troubleshooting Tools _____	50
Card Jams _____	51
Messages and Conditions _____	52
Messages on the Printer LCD _____	52
Messages from the XPS Card Printer Driver on the PC _____	54
Messages from Printer Manager _____	54
Other Messages _____	54
Respond to Messages _____	55
Printer Messages _____	55
100: Request not supported _____	55
101: Job could not complete _____	55
102: Card not in position _____	55
103: Printer problem _____	56
104: Critical problem _____	56
105: Magstripe data error _____	56
106: Magstripe data not found _____	57
107: Magstripe read data error _____	57
108: Magstripe read no data _____	58
109: Print ribbon problem _____	58
110: Print ribbon out or missing _____	58
111: Card not picked _____	59
112: Card hopper empty _____	59

113: Close cover to continue _____	59
114: Cover opened during job _____	59
116: Magstripe not available _____	60
117: Reader not available _____	60
118: Print ribbon type problem _____	61
119: Print ribbon not supported _____	61
120: User paused the printer _____	61
121: Print ribbon not identified _____	62
122: Magstripe format problem _____	62
123: Insert new card side 1 up _____	62
124: Insert same card side 2 up _____	62
149: Option not installed _____	63
150: Print while unlocked _____	63
151: Failed to lock _____	63
152: Insert new card side 2 up _____	63
153: Insert same card side 2 up _____	64
170: Insert new card side 1 up _____	64
171: Insert same card side 1 up _____	64
172: Insert cleaning card _____	64
173: Improper shutdown _____	64
Driver-Only Messages _____	65
500: The printer is not available _____	65
501: The printer connection was lost _____	65
502: The card data is missing or is not usable _____	65
504: The card data is missing or is not usable _____	65
505: USB communication issue _____	66
506: A card is currently processing _____	66
507: The printer is unlocked _____	66
508: The printer is shutting down _____	66
509: The printer is offline or suspended _____	66
510: The printer is unlocked _____	67
Driver SDK Messages _____	67
511: Cannot lock or unlock the printer. Locks are not installed. _____	67
512: Cannot lock or unlock the printer. The password is incorrect or invalid. _____	67
513: Cannot lock or unlock the printer. The printer is busy. _____	67
514: Cannot lock or unlock the printer. The cover is open. _____	67
515: Failed to lock or unlock the printer. The locks did not function. _____	67

Chapter 1: Introduction



About this Manual

This manual provides user information for the SD and CD Series Card Printers. The manual includes:

- An overview of printer components and options, and a description of the system label.
- How to use the printer, including how to power the printer on and off, how to use the front panel and LCD menus, card processing basics, how to print a test card, and how to load and replace supplies.
- How to perform routine maintenance and troubleshooting tasks.

An additional *Installation and Administrator's Guide* is available for use by administrators or other professionals responsible for printing cards. Refer to the Owner's Library CD.

Intended Audience

The manual is intended for the printer operator who prints cards, loads and replaces supplies, maintains the printer, and performs troubleshooting.

Technical Support

Contact Datacard Technical Phone Support at 1-800-328-3996.

Chapter 2: About the Printer

2

About the SD and CD Series Card Printers

The card printer applies images, text, and encoded data to plastic cards. It can print full-color and monochrome images, depending on the type of print ribbon installed.

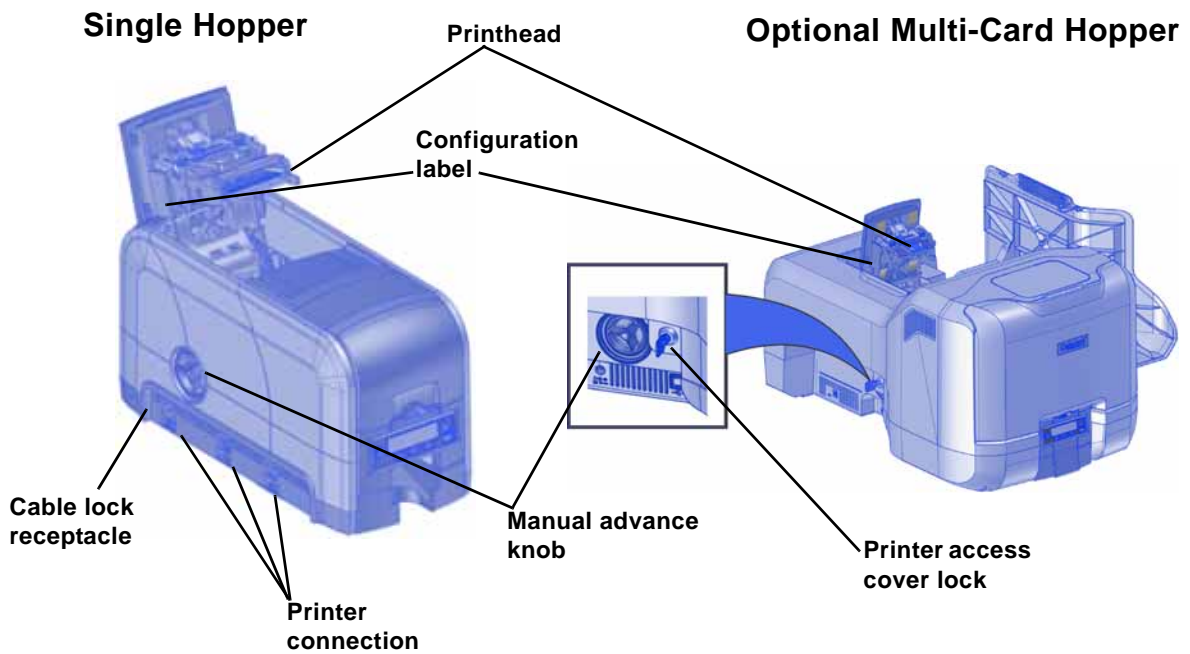
A busy issuance site might issue up to 10,000 cards a month. During these busy times, the site might use more than one printer to keep up with demand. The printer issues cards either one at a time or in batches—up to 100 cards at a time. An optional 200-card input hopper is available for some printers. In addition, some printers offer an optional multi-card hopper with six input hoppers, each with a 100-card capacity.

Options available for the card printer include magnetic stripe, smart card, and automatic duplex modules, and a reject hopper. The configuration label on the printer shows the options installed. Refer to “[System Label](#)” on [page 8](#) for more information about recognizing the factory-installed options on your card printer.

Refer to the following to view the printer components and the different options:

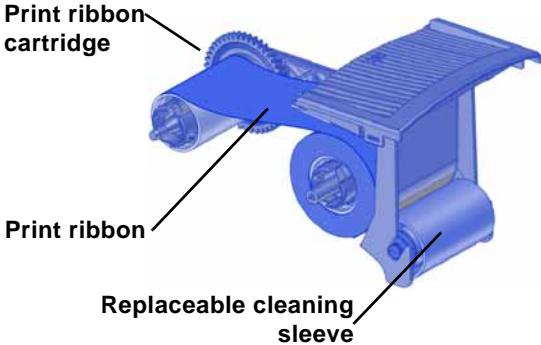
- [Printer Components](#) on [page 4](#)
- [Printer with Input Hopper](#) on [page 6](#)
- [Printer with Optional Multi-Card Hopper](#) on [page 7](#)
- [Printer with Duplex Option](#) on [page 8](#)
- [System Label](#) on [page 8](#)

Printer Components



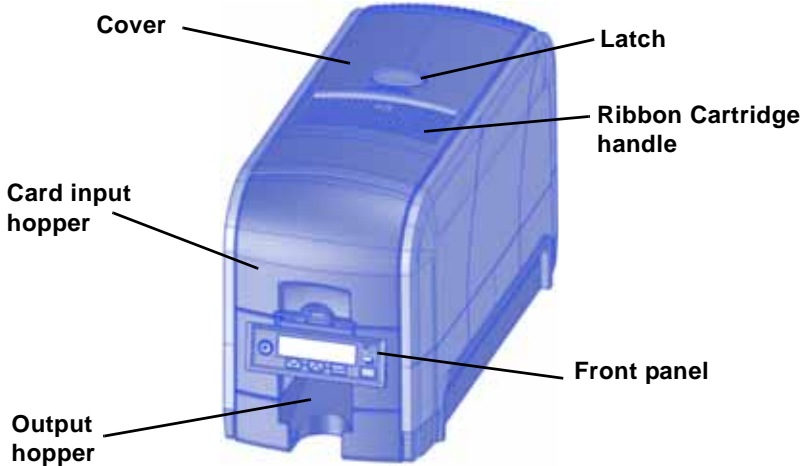
Printhead	The printhead transfers images to cards using the print ribbon.
Configuration label	The label shows the location and date of manufacture, and lists the options installed.
Manual advance knob	The knob moves a card in the track to clear a card jam.
Cable lock receptacle	The receptacle allows you to insert the security plate before attaching the optional Kensington® lock.
Printer connections	Printer connections include: <ul style="list-style-type: none"> • Power receptacle • USB connection • Network connection
Printer access cover lock	The lock provides secure access to the printer.

Print Ribbon Cartridge



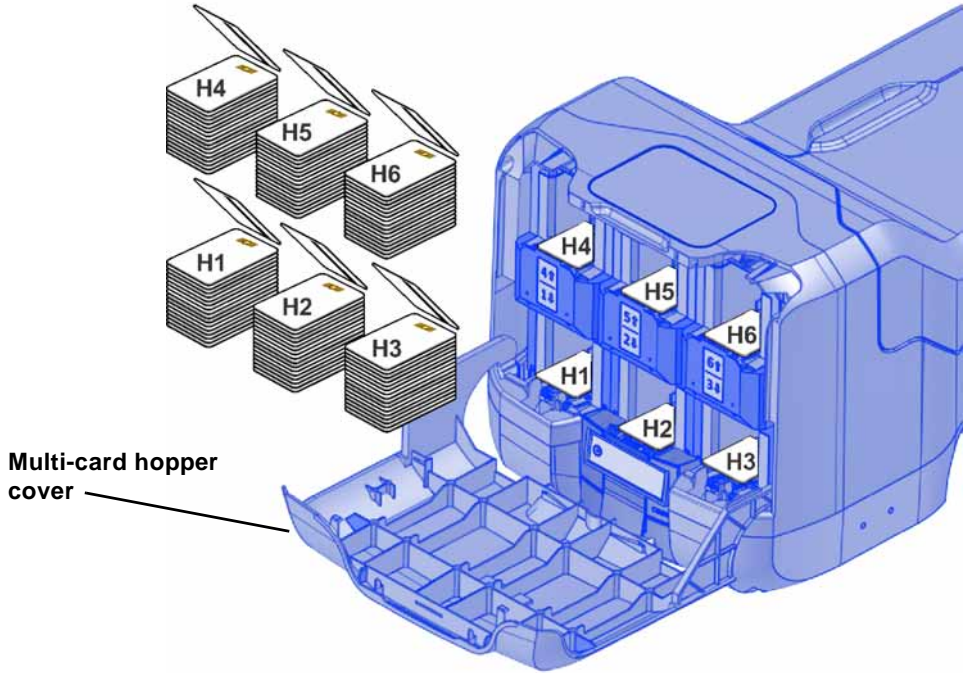
- Print ribbon cartridge** The cartridge holds the ribbon for printing.
- Print ribbon** The ribbon applies images to cards.
- Replaceable cleaning sleeve** The cleaning sleeve removes dust and other particles from cards to maintain print quality.

Printer with Input Hopper



- Cover** Open the cover to access the printhead and ribbon.
- Latch** Push the latch to release the cover and open the printer.
- Ribbon cartridge handle** The handle allows you to remove the print ribbon cartridge from the printer.
- Card input hopper** The input hopper loads card to print. The hopper holds up to 100 cards (0.030 in. or 0.762mm thickness).
- Front panel** The front panel lets you work with the printer. It includes the Ready button, the status lights, the power button, and the LCD panel with navigation keys.
- Output hopper** The output hopper holds up to 25 completed cards. (The output hopper of a model SD260 with a manual feed holds 5 cards.)

Printer with Optional Multi-Card Hopper



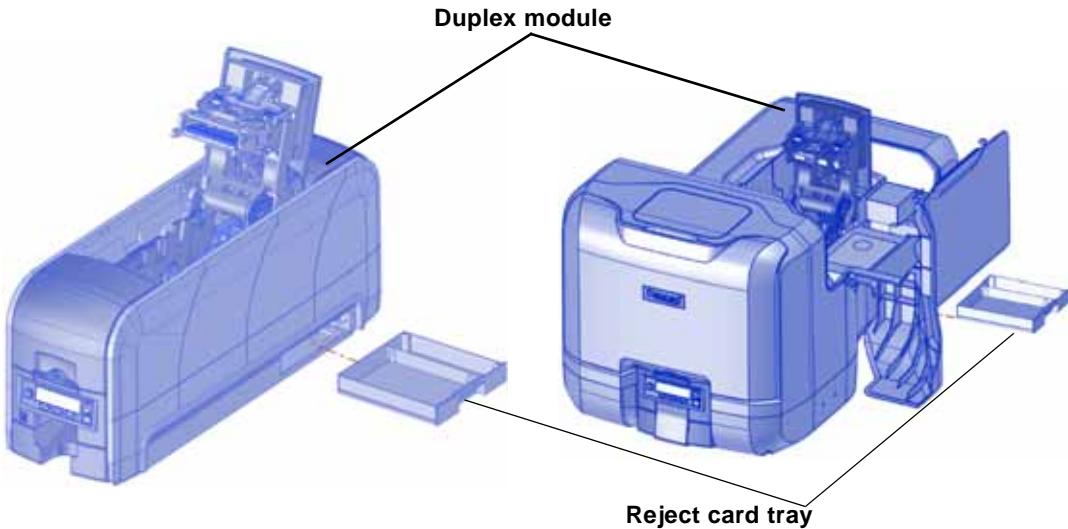
Card Hoppers H1 through H6

The H1 through H6 hoppers hold up to 100 cards each.

Multi-Card Hopper Cover

Unlock the printer and open the access cover to load card stock.

Printer with Duplex Option



Duplex module

The duplex module automatically turns the card for two-sided printing.

Reject card tray

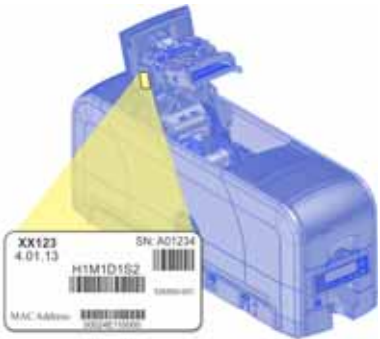
Unfinished cards or cards not processed properly are placed in the optional reject card tray,

System Label

The printer configuration label on the side of the cover swingarm shows the components installed. It provides information that is useful when requesting service.

The label shows the following information:

- Printer name
- Configuration, which includes options installed in the printer
- Date and country of assembly
- MAC address to use when the printer is connected via an Ethernet network



Information for components installed by the dealer or sales group is handwritten on the label.

Model	XX123	SN: A01234	Serial Number
Date of Manufacture	04.01.13		
		H1M1D1S2 	535500-004
MAC Address (assigned in factory)	MAC Address:	 00024E110000	

Configuration

Input Hopper:
 H0=Manual Feed
 H1=100 Card
 H3=Multi-Hopper

Magstripe:
 M1=ISO
 M2=JIS
 (blank=no option)

Duplex:
 D1=Long Duplex
 (blank=no option)

Smart Card:
 Sx Smart Card options
 (blank=no option)

Lock:
 L2=Multi-Hopper Lock

Firmware Upgrade:
 F1 Open Card Enabled
 (blank=no option)



Chapter 3: Using the System

3

This section provides information on how a card travels through the printer, the printer as part of a card production system, printer controls, printing a test card, loading and replacing supplies, and cleaning the printer.

How the Card Travels

The card is verified and sent to print from the PC. The hopper pick mechanism picks a card and moves the card into the printer for processing.

Optionally, the card moves to the magnetic stripe encode area or to the smart card park station, depending on the type of card selected. Encrypted data is decrypted and written to the card. The finished card exits the printer through the card output hopper.

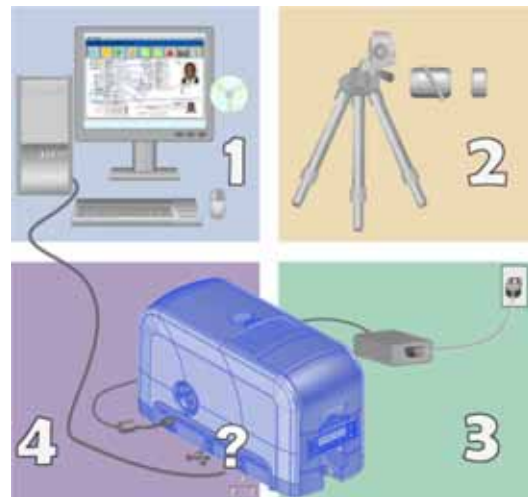
Card Printer System Overview

The card printer is used with other equipment and software to create a card production system. The system produces cards for a specific purpose and the cards must meet requirements.

Equipment

The system can include:

1. A PC, with software to support the printer, such as:
 - The XPS Card Printer Driver for Windows.
 - ID software designed specifically to capture, format, and save the data for cards.
 - A retail application such as Microsoft® Word or Adobe® Photoshop®.



2. Capture devices, such as:
 - A digital camera connected to the PC to take photos for ID badges and other cards.
 - A signature capture pad or fingerprint reader.
3. The printer with supplies and a facility power source.
4. A data connection between the printer and PC, which can be a USB connection or a network connection. (Do not use both with one printer.)

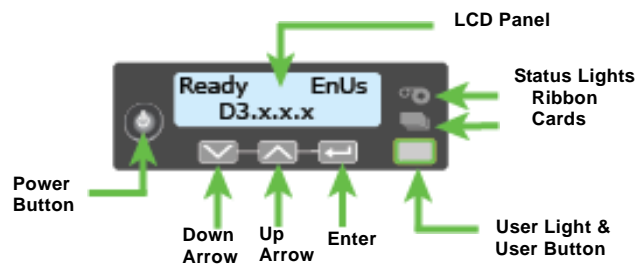
Tasks and Users

Typical roles in a card production system include:

- The **operator**, who makes cards, loads supplies, and handles minor problems such as card jams.
- The **system administrator**, who sets up the card printer and other hardware, sets up card designs, configures card production software, and identifies the best use of the card printer in the organization.

Printer Controls

The front panel of the printer provides the controls for operating the printer. The front panel controls are described in the following sections.



Power Button

Use the POWER button to power off and power on the printer. All lights show steady amber while the printer powers on.

To power off the printer, press the button for 1 to 2 seconds until the printer begins shutting down.

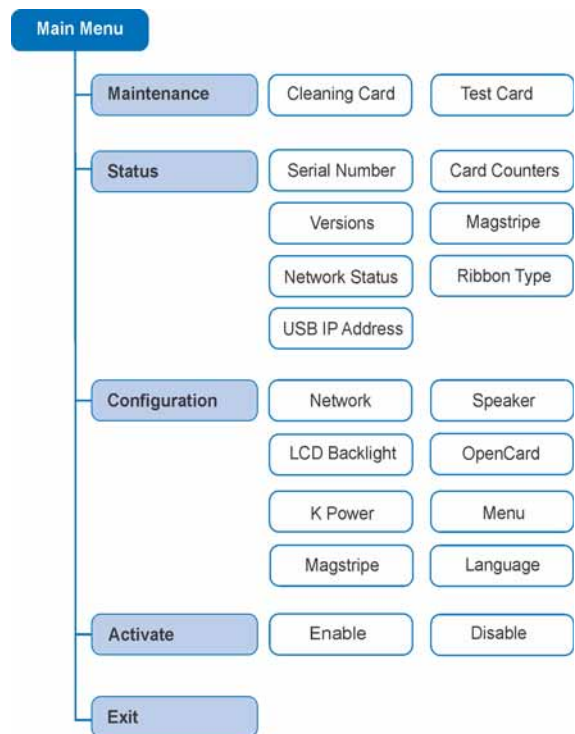
To power off the printer while it is processing cards, press the button for 2 or more seconds. Card jobs in the printer are not completed.

LCD Panel Menus

The LCD panel shows the printer's menus and displays printer messages or conditions. Refer to “Respond to Messages” on page 55 for more information.

The menu system has four major branches:

- Use the **Maintenance** menu to run a cleaning card or a test card.
- Use the **Status** menu to see settings and data about the printer.
- Use the **Configuration** menu to change settings.
- Use the **Activate** menu to enable or disable secure features of the printer.



Use the Activate menu only during installation or removal of the system.







HINTS & TIPS

- You can access the menu system when **Ready** displays on Line 1 of the LCD panel.
- The printer returns to the **Ready** status after two minutes of no activity. Changes not applied are lost.
- To leave a selection without changing the value, press the up or down arrow key until **Exit** displays, and then press the ENTER key.

User Button and Light

The printer's USER button displays with a border of light that indicates the system status. Use the USER button to:

- Suspend printer activity – press the USER button when the LCD panel displays **Ready**.
- Clear a message – press the USER button once.
- Clear all messages – press the USER button for 2 seconds or more.
- Clear all cards currently printing – press and hold the USER button for two or more seconds. (Make sure that this action is allowed in your card system.)
- See whether the printer is ready, busy printing, or not available. Indicators include the following:

Off	The printer is off or suspended.	
Green	The printer is ready.	
Blinking green	The printer is busy.	
Amber	The printer is not ready. The POWER button was pressed to turn the printer off.	
Blinking Amber	The printer has an error.	
Color Cycle: Amber, Green, Light Green, Off	The system is not ready or a door on the system is open. The colors cycle quickly. Close and Lock Doors displays on the LCD panel if no other message is present.	



Down Arrow, Up Arrow, and Enter Key

Use the arrow keys to move through the printer menu system, and the ENTER key to make a selection.

The LCD panel normally displays the firmware version installed in the printer. Press the down arrow key while the LCD panel displays **Ready** to display additional information about the printer, including the printer model, serial number, and network IP address or USB IP address.



Ribbon Light

The ribbon indicates the status of the print ribbon in the printer. Indicators include the following:

Off	The print ribbon is okay.	
Blinking Amber	A blinking light indicates one of the following: <ul style="list-style-type: none">• The printer problem applies to the print ribbon• The print ribbon is low• The print ribbon is out	

Card Light

The card light indicates the status of cards in the printer. Indicators include the following:

Off	Cards are okay.	
Blinking Amber	A blinking light indicates either of the following: <ul style="list-style-type: none">• No card is detected for the print job. Insert a card to continue printing.• Scheduled printer cleaning is due. Insert a cleaning card now, or set aside time to run a cleaning card.	

Retrieve the Printer IP Address

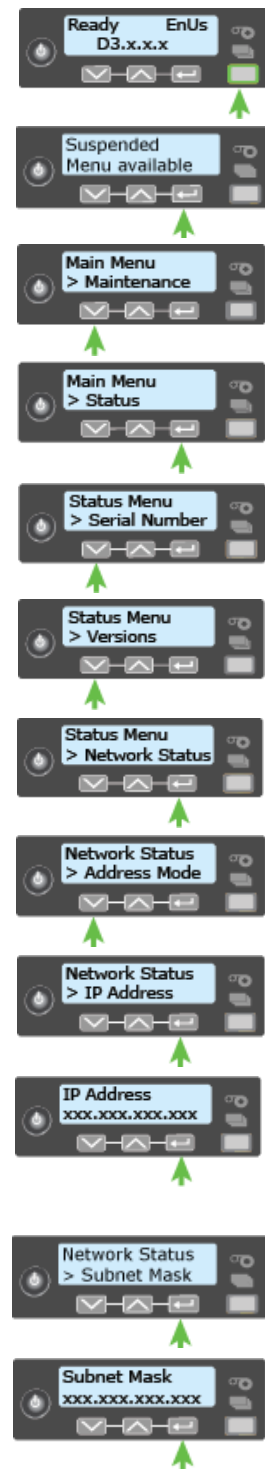
The printer can display the network IP address it uses when connected to the network. It also displays the subnet mask, gateway address, and MAC address.

Begin with the printer power connected, and the printer connected to the network.

1. Press the POWER button (if needed) to power on the printer.
2. Access the Network Status menu in the LCD menu:
 - A. Press the USER button to suspend the printer.
 - B. Press the ENTER key to enter the menu system.
 - C. Press the down arrow to display Status on line 2.
 - D. Press ENTER to enter the Status menu.

Press the down arrow key until Network Status displays on line 2.
 - E. Press ENTER to display the Network Status menu.
3. Press the down arrow key until IP Address displays on line 2.
4. Press ENTER to display the IP address. Record the IP address.

5. Press ENTER to return to the Network Status menu. Subnet Mask displays on line 2.
6. Press ENTER to display the subnet mask. Record it, if necessary.



7. Press ENTER to return to the Network Status menu. **Gateway Address** displays on line 2.
8. Press ENTER to display the gateway address. Record it, if necessary.
9. Press ENTER to return to the Network menu.
10. Press the down arrow key to scroll to **Exit** on line 2.
11. Press ENTER. Then, press the USER button to return the printer to **Ready**. The USER button glows green.

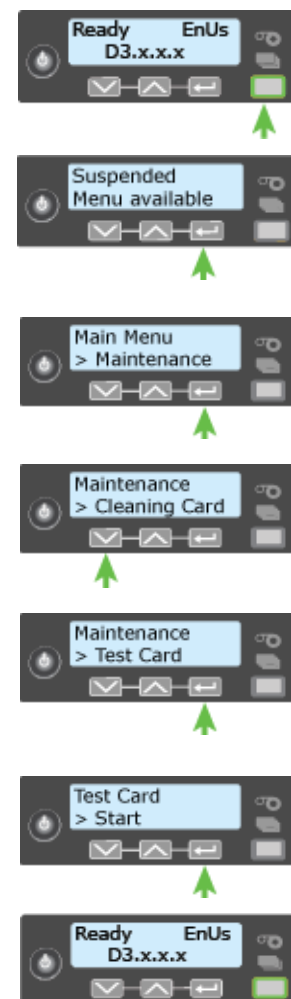


Print a Test Card

The printer includes a test card that runs without using a driver or other source of card data. Use it to verify that the printer is working.

1. Begin with the printer **Ready**. The USER button shows steady green.
2. Press the USER button to display **Suspended** on Line 1 of the LCD panel.
3. Press ENTER to enter the menu system.
4. Press ENTER to enter the Maintenance menu.
5. Press the down arrow until **Test Card** displays on Line 2.
6. With **Test Card** displayed on Line 2, press ENTER to display **Start** on Line 2.
7. Press Enter to print the test card.

After the card prints, the printer returns to **Ready**.



Load and Replace Supplies

To prepare the printer to print cards, load blank card stock into the input hopper (optional), and load print ribbon and a cleaning sleeve onto the print cartridge.

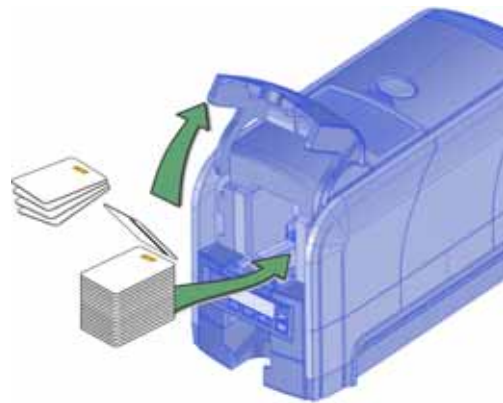
Load Cards

Single Hopper

If you are using a manual feed printer, skip this step and keep a supply of blank cards close to the printer.

For printers with an input hopper, do the following:

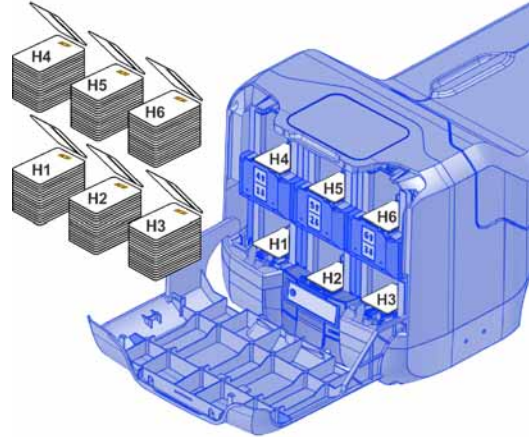
1. Open the input hopper. Unlock the printer, if necessary.
2. Load the cards into the input hopper. (Fan the cards before placing them in the input hopper—optional.)
 - Insert magnetic stripe cards with the stripe down and toward the right side of the input hopper.
 - Insert smart cards with the smart card chip on top toward the back of the hopper.
3. Close the input hopper. Lock the printer, if necessary.



Optional Multi-Card Hopper

1. Unlock the printer and open the multi-card hopper.
2. Load the cards into the hoppers.

The input hoppers are labeled H1 through H6. You can load up to 100 cards into each hopper. (Fan the cards before placing them in the hoppers—optional.)

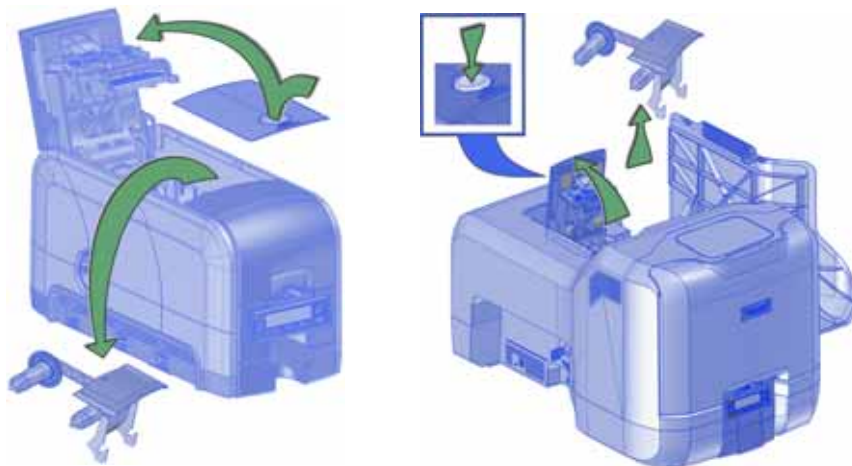


- Insert magnetic stripe cards with the stripe down and toward the right side of the input hopper.
 - Insert smart cards with the smart card chip on top toward the back of the hopper.
3. Close the multi-card hopper and lock the printer when you finish loading cards.

Load the Print Ribbon

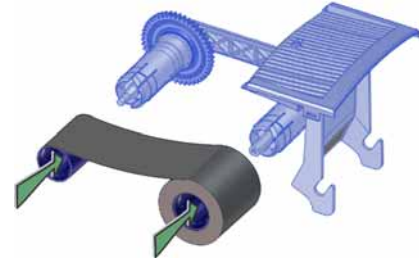
Load the print ribbon when you install the printer and when the ribbon runs out.

1. Unlock the printer and open the printer supplies access door on the optional multi-card hopper.
2. Open the printer cover.



3. Remove the print ribbon cartridge.

4. Load a full roll of print ribbon onto the spindle closest to the cartridge handle.
5. Place the empty spool on the spindle with the black gear.
6. Wind the empty spool counterclockwise one full turn.

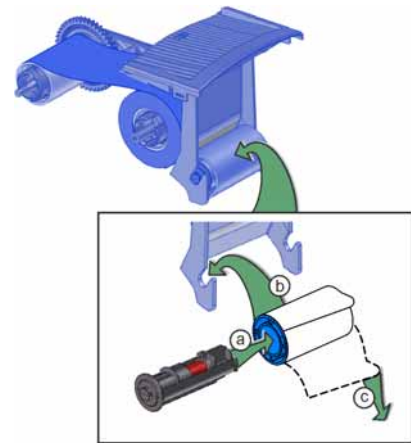


Load the Cleaning Sleeve

Load a new cleaning sleeve with each new roll of print ribbon.

The printer ships with the cleaning roller spindle installed on the print ribbon cartridge.

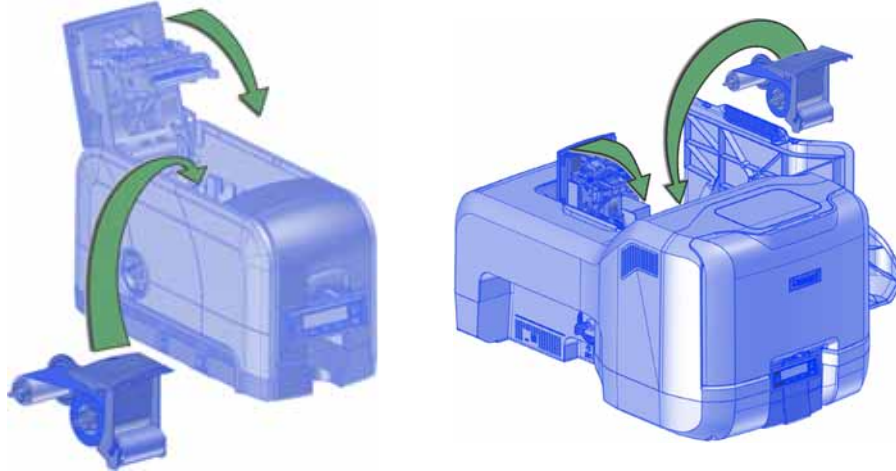
1. Remove the cleaning roller spindle from the ribbon cartridge and slide the spindle into the continuous cleaning sleeve (a).
2. Place the spindle with the cleaning sleeve onto the ribbon cartridge (b).
3. Remove the protective wrapper from the cleaning sleeve (c).



Install the Ribbon Cartridge

Install the assembled print ribbon cartridge into the printer.

1. Open the printer cover.
2. Hold the print ribbon cartridge by the handle and lower it into the printer with the handle toward the front of the printer.



3. Make sure that the ribbon cartridge is correctly positioned in the guides.
4. Close the printer cover (and the supplies access door on the optional multi-card hopper). Lock the printer, if necessary.



Chapter 4: Printing Cards

4

Before Starting to Print

This section explains how to print a card to a printer. Make sure that:

- Cards are loaded in the printer or available to insert.
- Ribbon is loaded in the printer. For the steps to follow, refer to [“Load the Print Ribbon”](#) on [page 19](#).
- The card design is set up. If you need to set up or modify the design, refer to *“Elements of Card Design”* in your card printer’s *Installation and Administrator’s Guide*.

HINTS & TIPS

Make sure that magnetic stripe cards are loaded correctly. The printer shows the correct position.

You also can:

- Print a test card directly from the printer. Refer to [“Print a Test Card”](#) on [page 17](#).
- Print a driver sample card. Refer to *“Printing a Driver Sample Card”* in your card printer’s *Driver Guide*.

Print Cards

Make sure that cards are loaded in the printer or available to insert when prompted. For the steps to follow, refer to “Load Cards” on page 18.

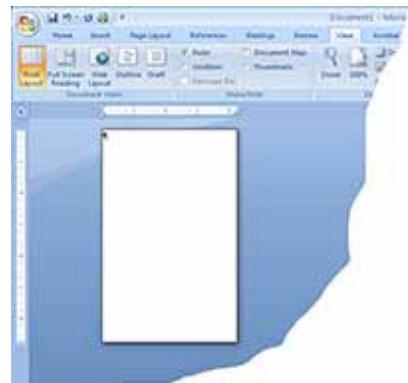
Print from ID Software

1. From the ID software, use the template or design for the card.
2. Select the printer if you use more than one printer.
3. Enter the data for the card. Follow the instructions for your software.
4. Capture the photo for the card, if necessary.
5. Click the **Print** button to send the card to the printer.
6. At the printer, insert a card in the single-feed slot, if necessary.

Print from Other Software

1. Open the software application and select the card printer as the current printer.
2. Use **Page Setup** to select the ISO ID-1 page size, or set the page size to 2.13 x 3.38 in.
3. Set the margins to 0 (zero or zed).
4. Select an orientation – portrait or landscape.
5. Create the card design:
 - A. Add graphics, such as a company logo or background.
 - B. Add a photo.
 - C. Add text information, such as name, address, or employee number.

For information about additional card features, refer to “Elements of Card Design” in your printer’s *Installation and Administrator’s Guide*.



6. Click **Print** to send the card to the printer.
7. At the printer, insert a card in the single feed slot, if necessary.

HINTS & TIPS

- The printer can receive card jobs from more than one PC. It prints cards in the order they are received.
- Orient all cards the same way.
- Do not touch the card surface to be printed. Handle cards by their edges or wear gloves.



Chapter 5: System Maintenance

5

Clean the Printer

The printer performs best when it is cleaned on a regular basis. Follow the cleaning guidelines for your site to keep the printer in good working condition.

Clean the printer when:

- The printer displays a message for which cleaning is a solution.
- There is debris on completed cards.
- A new roll of print ribbon was installed.

You can perform the following cleaning tasks:

- [“Clean the Printhead” on page 28](#)
- [“Run a Cleaning Card” on page 30](#)

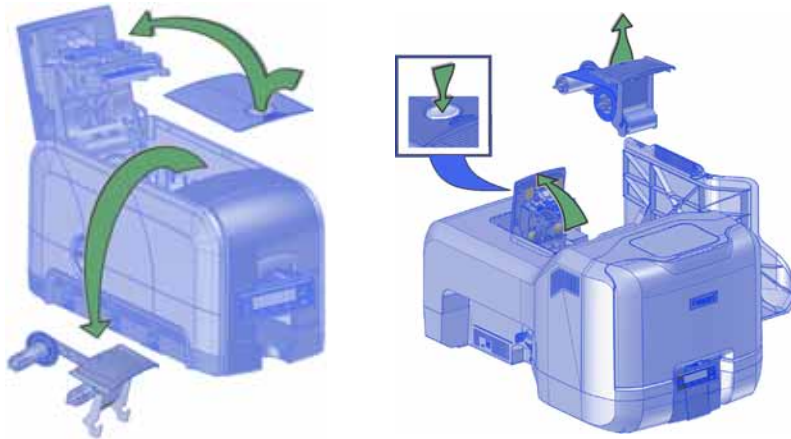
Clean the Printhead

Clean the printhead when:

- The printhead is replaced.
- There are unprinted lines on the finished card. This usually indicates dirt or contaminants on the printhead.
- The printhead is touched accidentally. Oils from hands can affect print quality and damage the printhead.

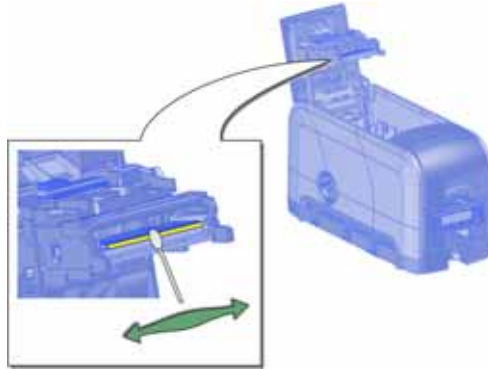
Do the following to clean the printhead:

1. Power off the printer.
2. Open the printer cover and remove the print ribbon cartridge.

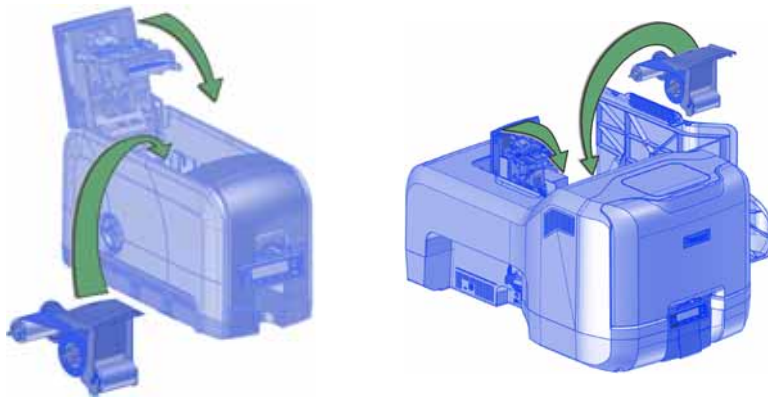


3. Open and remove a cleaning swab from its package.

4. Use gentle pressure to move the cleaning swab back and forth along the full length of the printhead edge until it is completely clean.



5. Replace the print ribbon cartridge. Avoid bumping the printhead when you install the print ribbon cartridge.



6. Close the printer cover.
7. Power on the printer.
8. Print a sample card to verify the quality of printing. Refer to “[Print a Test Card](#)” on [page 17](#) for more information.

HINTS & TIPS

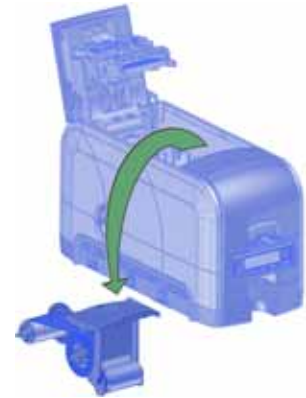
- Avoid touching the printhead edge with your fingers. Contamination due to skin oils eventually can damage the printhead.
- Avoid touching the printing edge of the printhead cartridge with any sharp objects that can permanently damage the printhead.
- Use only the cleaning swab to clean the printhead. Other materials can stick to the printhead and cause damage.
- Use a cleaning swab one time only. Discard it after you clean the printhead.

Run a Cleaning Card

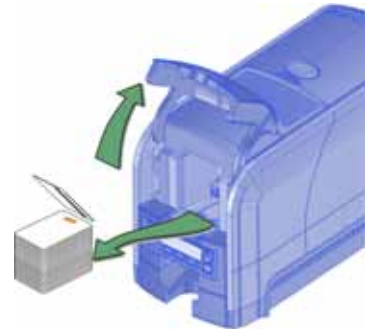
Run a cleaning card to clean debris from the inside of the printer and from the hopper rollers. The cleaning card can remove most contaminants from the printer. Run a cleaning card after every 250 cards processed by the printer, or every 6 months.

Single Hopper

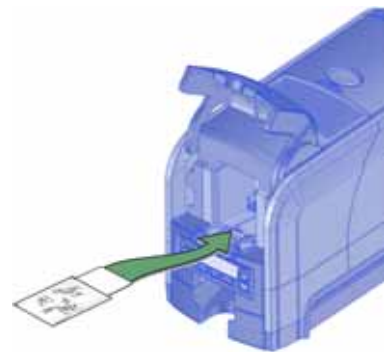
1. Prepare the printer for cleaning.
 - A. Power on the printer.
 - B. Open the printer cover and remove the print ribbon cartridge.
 - C. Close the cover.



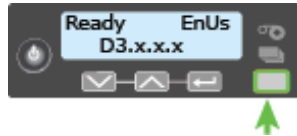
- D. Open the input hopper and remove any unprinted cards.



- E. Open the cleaning card package and remove the cleaning card.)
 - F. Load the cleaning card in the input hopper. (Plan to clean the printer immediately. The cleaning card dries out if it is out of its package for more than a few minutes.)



2. Use the LCD menu system to start the cleaning cycle.
 - A. Begin when the printer displays **Ready** and the **USER** button shows steady green. Press the **USER** button.

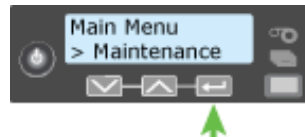


Suspended displays on Line 1 of the LCD panel.

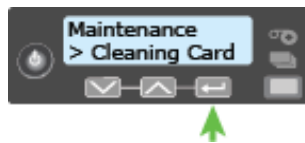
- B. Press the **ENTER** key to enter the menu system.



- C. **Maintenance** displays on line 2 of the LCD panel. Press the **ENTER** key to enter the **Maintenance** menu.



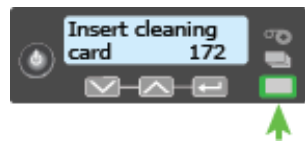
- D. **Cleaning Card** displays on line 2 of the LCD panel. Press the **ENTER** key to enter the **Cleaning Card** menu.



- E. **Start** displays on Line 2 of the LCD panel. Press the **ENTER** key to start the cleaning process.



- F. Insert cleaning card displays on the LCD panel. Press the USER button to start the cleaning cycle.



The printer moves the card through the printer several times and ejects it in the output hopper.


3. Remove the used cleaning card. Wait a few minutes for the rollers to dry.
4. Prepare the printer for use.
 - A. Replace the cards in the input hopper.
 - B. Install a new cleaning sleeve on the ribbon cartridge and remove the protective cover. Refer to [“Load the Cleaning Sleeve”](#) on page 20 for the steps to follow.
 - C. Replace the ribbon cartridge and close the printer cover.

Press the User button to return the printer to Ready. The printer is available to print cards again.



- D. Discard the used cleaning card and cleaning sleeve.

HINTS & TIPS

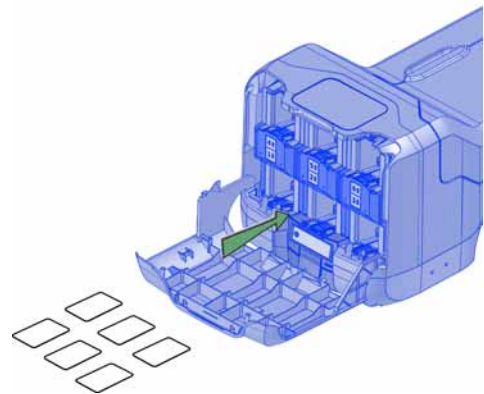
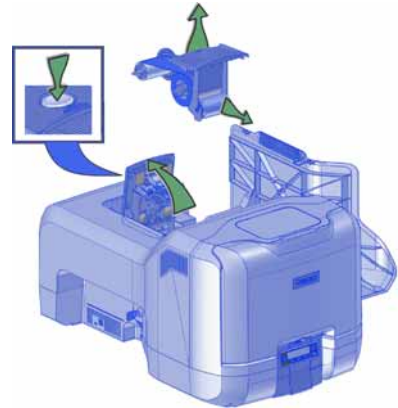
- Use the cleaning card and cleaning sleeve one time only.
- Change the cleaning sleeve each time you clean the printer or change the print ribbon.
-  If the card light is blinking amber and there are cards in the input hopper, it indicates that the printer's configured cleaning count has been reached and it is time to clean the printer.

Optional Multi-Hopper

Cleaning a printer equipped with the optional multi-card hopper involves two steps: cleaning the printer and cleaning the hopper rollers.

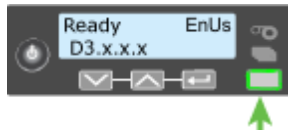
Prepare the Printer for Cleaning

1. Power on the printer.
2. Unlock the printer and open the printer supplies access door.
3. Open the printer cover and remove the print ribbon cartridge.
4. Remove the cleaning sleeve from the ribbon cartridge. (The ribbon must remain installed on the ribbon cartridge.)
5. Replace the ribbon cartridge in the printer and close the cover.
6. Open the multi-hopper door and remove any unprinted cards.
7. Open the cleaning card package, remove the cards, and insert the cleaning cards into the hoppers. (Plan to run the cleaning cards immediately. The cleaning cards dry out if they are out of the package for more than a few minutes.)
8. Close the multi-hopper door and lock the printer.



Clean the Printer

1. Press the USER button.

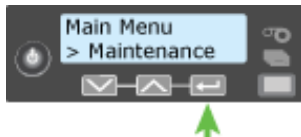


Suspended displays on line 1 of the LCD panel.

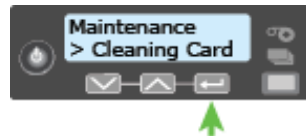
2. Press the ENTER key.



3. Maintenance displays on line 2 of the LCD panel. Press the ENTER key to enter the Maintenance menu.



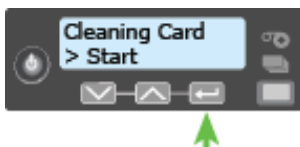
4. Cleaning Card displays on line 2 of the LCD panel. Press the ENTER key to enter the Cleaning Card menu.



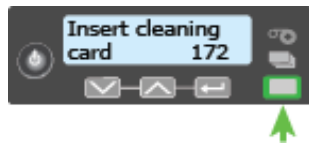
5. Printer displays on line 2 of the LCD panel. Press the ENTER key.



6. Start displays on line 2 of the LCD panel. Press the ENTER key to start the cleaning process.



7. **Insert cleaning card** displays on the LCD panel. Press the **USER** button to start the cleaning cycle.

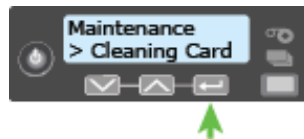


The printer picks the cleaning card from hopper 2 and moves it through the printer several times. The used card is placed in the reject card tray.

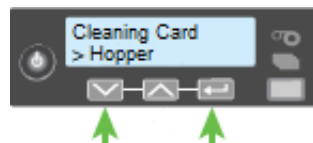
The printer returns to **Ready** when the cleaning cycle completes.

Clean the Hopper Rollers

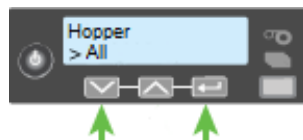
1. Access the LCD menu system and enter the **Cleaning Card** menu.



2. Select the hoppers for cleaning.
 - A. Press the down arrow key until **Hopper** displays on line 2 of the LCD panel.
 - B. Press the **ENTER** key to enter the Hopper menu.



- C. Press the down arrow key and choose **All** to clean hoppers H1, H3, H4, H5, and H6. (Or, continue pressing down to select hoppers 1 through 6 to clean a hopper individually.)



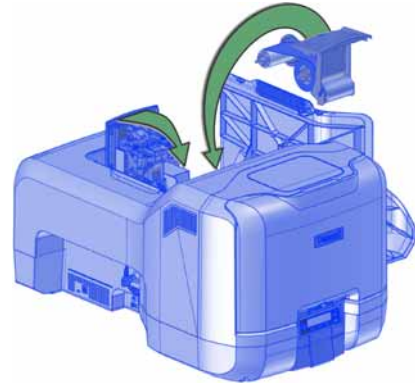
3. Press the **ENTER** key to start the cleaning process.

The printer moves the cleaning cards back and forth across the hopper rollers several times and then ejects the cleaning cards back into the hoppers.

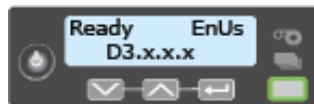
The printer returns to **Ready** when the cleaning cycle completes.

Prepare the Printer for Use

1. Unlock the printer and open the multi-hopper door.
2. Remove the used cleaning cards from the hoppers.
3. Replace the unprinted cards in the input hoppers.
4. Open the printer supplies access door and the printer cover. Remove the print ribbon cartridge.
5. Install a new cleaning sleeve on the ribbon cartridge and remove the protective cover. Refer to [“Load the Cleaning Sleeve”](#) on page 20 for the steps to follow.
6. Replace the ribbon cartridge and close the printer cover and the printer supplies access door.
7. Open the reject card tray and remove the used cleaning card.
8. Lock the printer.



The printer returns to **Ready** and is available to print cards again.



9. Discard the used cleaning cards and cleaning sleeve.

HINTS & TIPS

- Use the cleaning cards and cleaning sleeve one time only.
- Change the cleaning sleeve each time you clean the printer or change the print ribbon.



Chapter 6: Troubleshooting



This section helps you identify and fix basic issues that can occur during printing. Also refer to your printer's *Driver Guide* or OpenCard manual for additional troubleshooting information.

The section starts with an overview of card production and printer issues you may encounter:

- [Locate a Problem Within the Card Production System on page 38](#)
- [Locate a Problem with Basic Printer Functions on page 39](#)

This section also describes troubleshooting for the following:

- [Installation Problems on page 40](#)
- [Driver Problems on page 42](#)
- [Card Appearance on page 44](#)
- [Magnetic Stripe Problems on page 49](#)
- [Card Jams on page 51](#)
- [Messages and Conditions on page 52](#)

Locate a Problem Within the Card Production System

For typical components of the system, refer to “[Card Printer System Overview](#)” on [page 11](#). If any one of the following components does not work properly, printing cards can be affected.

- The XPS Card Printer Driver

Should you need to reinstall the driver to fix a problem, we recommend you download the latest version of the driver from <http://www.datacard.com>. Select **Support & Drivers > Drivers & Downloads** from the menu. Enter your printer model in the Enter Product Name or Number area, and click **Go**.

- Card production software

Card production software formats the types of data used to print cards. Make sure that the card production software features you use work with your printer.

If you do not use card production software, make sure that the software you use supports the requirements for creating cards. If you use magnetic stripe data, use an application that saves text as text and not as a graphic. (For example, Microsoft Paint only saves graphic data, while Adobe Photoshop saves both graphic and text data.) Fonts and escapes require that text be sent from the application as text.

- Printer plug-in

Card production software might require a printer plug-in, which takes the data in the card production software and makes it available in the form the driver can use.

- Other components of the system

An ID or badge system usually includes a camera to take photos, and may include other capture devices for biometric data. The proper use and maintenance of these components is important to the quality of cards you produce.

Locate a Problem with Basic Printer Functions

If the system is not working as expected, follow these steps in the order listed to isolate the source of the problem before you contact your service provider.

1. Check that the power cord is plugged in and the printer is powered on.
2. Does the printer power on and display **Ready** on the front panel within 1 minute?
 - If the printer powers on correctly, continue to step 3.
 - If the printer powers on but does not display **Ready**, the printer is not working properly. Request service for the printer.
 - If the printer does not power on, make sure that the power source is functioning by doing one of the following:
 - Remove the printer power cord from the outlet and connect it to another outlet.
 - Remove the power cord from the printer and connect it to another device, such as a light, and then connect it to the same outlet.

If the power source is functioning, there is a problem with the printer. Request service for the printer.

If the power source isn't functioning, replace it and then begin with step 1.
3. Print a test card. Refer to [“Print a Test Card”](#) on [page 17](#) for more information.
 - If the test card prints, the printer is working correctly. Continue to step 4.
 - If the test card does not print, the printer is not working correctly. Request service for the printer.
4. Connect the printer data cable, if necessary. Make sure that you use the same type of cable (USB or network) used when the printer was installed.

5. If you use the XPS Card Printer Driver, print a driver sample card. For the steps to follow, refer to your printer's *Driver Guide*.
 - If the sample card prints, the printer and driver are working correctly. Continue to step 6.
 - If the sample card does not print, the printer and driver have a communication problem. Determine the cause of the problem and try the sample card again.

If you are not using the driver, ask your service provider or software provider for assistance.

6. Print a card using your card production software.
 - If the card prints, your software is working successfully with the printer. Troubleshoot the card design.
 - If the card does not print, check the following:
 - In the application, is the correct printer selected in the Print Setup or Print dialog?
 - If the printer produced a blank card, review the page size or driver settings.

If the card causes an error, the card might have a type of data the printer does not support.

Installation Problems

This section describes issues that prevent a successful installation and provides recommended solutions to those issues. Choose from the following topics:

- [USB Installation Troubleshooting](#) on page 41
- [Network Installation Troubleshooting](#) on page 42

USB Installation Troubleshooting

Problem	Solution
The cable is loose.	Reconnect the USB cable to the ports on the PC and the printer. Power the printer OFF, and then back ON. If the PC and printer still do not communicate, restart the PC.
The data cable is damaged or frayed.	Power off the printer. Replace the cable if you have a spare. Contact your service provider to order a new data cable.
The system has a temporary communication problem.	Check the following: <ul style="list-style-type: none"><li data-bbox="732 688 1403 814">• USB extension cables can cause communication problems. The recommended USB cable is 6-ft. (2 meters) long. Make sure that the cable is rated for USB 2.0 data transmission.<li data-bbox="732 825 1403 877">• If you are using a USB hub, a self-powered hub is recommended.
The PC USB port does not communicate with the printer USB port.	Power management on the PC has shut down USB communication. Open the Device Manager and the list of USB devices. Disable shutdown for each hub in the list. Restart the PC to make the changes take effect, if necessary. Hibernation on a laptop PC requires several moments to enable USB communication. Unplug the USB printer port and then connect it again. Replace the PC port or the PC. Contact your PC or port vendor if you need assistance.

Network Installation Troubleshooting

Problem	Solution
The network cable is loose.	Reconnect the data cable to the network port and the printer. Restart the printer.
The Status page of Printer Properties shows the printer is not available, but the printer shows "Ready" on the LCD panel.	Follow your network troubleshooting procedures to isolate and test each component of the computer-to-printer communication link. Suggestions: <ul style="list-style-type: none">• Check the computer-to-network connection by accessing a network resource, such as a network drive.• The network administrator can check communication between a server and the printer.• Make sure that the user is logged in to the network.
The printer is not configured with the correct network address	Make sure that the server name or IP address is entered in the Port Settings or Configure Port dialog box on the computer. For more information on retrieving the printer's IP address, refer to " Retrieve the Printer IP Address " on page 16 . Make sure that Ready displays on the printer's LCD panel.

Driver Problems

The Card Printer Driver and printer can have the following communication problems:

- [The card printer driver does not detect the network-connected printer on page 43.](#)
- [The card printer driver does not detect the USB-connected printer on page 43.](#)
- [Driver status or Windows print queue does not provide expected data on page 44.](#)

The card printer driver does not detect the network-connected printer

Problem	Solution
The Printer Properties > Status tab shows the printer is not available.	<p>Make sure that you use the same type of data cable—USB or network—that was used when the printer was installed. You cannot switch the type of data cable after installation.</p> <p>Make sure that the current printer IP address is the same as the IP address on the Printer Properties > Ports tab. For more information on retrieving the printer's IP address, refer to <i>Retrieve the Printer IP Address</i> on page 16.</p>
Message 500 appears after you send a card to print.	If this happens often, consider switching from DHCP network addressing to static IP addressing. For more information on setting the driver network communication value, refer to the "Printer Manager" section of the card printer's <i>Installation and Administrator's Guide</i> .
The network is not operating properly.	Check the network using another device and fix or report network problems. To check the network, print to a different (paper) printer or check the availability of network drives.
The printer is not connected to the network, or the PC is not connected to the network.	Make sure that both ends of the data cable are connected. Replace defective cables if needed.

The card printer driver does not detect the USB-connected printer

Problem	Solution
The Printer Properties > Status tab shows the printer is available, but Message 500 appears after you send a card to print.	<p>Make sure that you use the same type of data cable—USB or network—that was used when the printer was installed. You cannot switch the type of data cable after installation.</p> <p>Make sure that both ends of the data cable are connected. Replace a defective USB cable if needed.</p>

Driver status or Windows print queue does not provide expected data

Problem	Solution
The Driver Sample Card or magnetic stripe test cards do not print.	Check the following: <ul style="list-style-type: none">• Enable bidirectional support must be selected on Printer Properties > Ports tab to allow printing from the Card Printer Driver.• If Print directly to printer is selected in the Printer Properties > Advanced tab, clear the selection to allow printing of the driver sample cards.
The Ribbon Low light on the printer and the driver status do not match.	The percentage of ribbon remaining that causes the printer Ribbon Low light can be set using the Printer Manager FrontPanel printer setting. The driver displays the actual percentage of ribbon remaining and cannot be changed. As a result, the indicators may not be in agreement.
A print job disappears from the print queue, but does not print.	The printer USB cable was disconnected after the application sent the job. Reconnect the cable and try the job again.

Card Appearance

Card appearance problems can be caused by many different factors. Click the link below that best describes the card appearance issue on the printed card.

- [Something did not print on page 45](#)
- [Printing includes unexpected data on page 45](#)
- [The color printing has flaws on page 46](#)
- [The printing is too light on page 47](#)
- [The printing is too dark on page 48](#)
- [The monochrome printing has flaws on page 48](#)

Something did not print

Problem	Probable Cause	Solution
Nothing is printed on the card.	The Disable Printing option in the Card Printer Driver is set to All, Front, or Back.	Open the Preferences > Layout > Advanced tab and change Disable Printing to Off.
	The print ribbon is loaded incorrectly.	Remove the print ribbon and install it correctly.
	The page size was not set to ISO ID-1.	Use your card production application to access the printer's print setup and select ISO ID-1 for the page size. The correct page size is available after choosing the printer.
Color printing on top of a black background does not appear on the card.	The black panel of the ribbon is printing over the color panels.	The printer uses the print ribbon panels in sequence; the Y panel prints first, then M, and so on. The black panel of the print ribbon is used last and prints over the color panels. For best results, change the 100% black background to a color near black, so that it prints using the YMC (color) panels of the print ribbon.

Printing includes unexpected data

Problem	Probable Cause	Solution
Text intended for the magnetic stripe printed on the card.	The magnetic stripe font was not applied to the text.	Refer to "Use Magnetic Stripe Fonts" in the printer's <i>Driver Guide</i> .
	The escape code was typed incorrectly.	Refer to "Use Magnetic Stripe Escapes" in the printer's <i>Driver Guide</i> .
	The text to encode was longer than one line.	Reduce the font size to keep all text on one line.
Several blank cards are ejected before the full card prints.	The application uses the page size in effect when a document is created. You set the page size after creating the document.	Use the page setup feature of the application to set the page size before creating the document. Consider creating a template for cards that opens at the correct page size.

The color printing has flaws

Problem	Probable Cause	Solution
One or more unprinted lines appear on the card.	The printhead is dirty or damaged.	Clean the printhead. Refer to “Clean the Printhead” on page 28.
One color panel is not aligned correctly with other color panels.	The cards are slipping in the track.	Run a cleaning card. Refer to “Run a Cleaning Card” on page 30.
	The cards are not the correct size for the printer.	Use cards that meet the size requirement for the printer. Refer to “Cards” in your printer’s <i>Installation and Administrator’s Guide</i> for specifications. If you must use the cards you have, ask your system administrator for help.
Printing is blurred.	The cards have a matte, not glossy, finish.	Use cards that meet the requirements for the printer. Refer to “Cards” in your printer’s <i>Installation and Administrator’s Guide</i> for specifications.
	The rollers are dirty.	Run a cleaning card. Refer to “Run a Cleaning Card” on page 30.
	The printhead is dirty.	Clean the printhead. Refer to “Clean the Printhead” on page 28.
The printed card has small unprinted areas.	Unprinted cards have scratches.	Handle cards carefully. Refer to “Card Quality Guidelines” in your printer’s <i>Installation and Administrator’s Guide</i> .
	Cards have embedded particles, an uneven surface, or the card edge has burrs.	Use cards that meet the requirements for the printer. Refer to “Cards” in your printer’s <i>Installation and Administrator’s Guide</i> .
	The rollers are dirty or the card packaging contains debris.	Run a cleaning card. Refer to “Run a Cleaning Card” on page 30.

Problem	Probable Cause	Solution
Part of the printed image is discolored.	Cards have fingerprints or other dirt on them.	Handle cards carefully. Refer to "Card Quality Guidelines" in your printer's <i>Installation and Administrator's Guide</i> .
	A signature panel is located on the other side of the card.	Design the card to avoid printing photos over signature panel residue.
	The rollers are dirty or the card packaging contains debris.	Run a cleaning card. Refer to " Run a Cleaning Card " on page 30 . Use cards that meet the requirements for the printer. Refer to "Cards" in your printer's <i>Installation and Administrator's Guide</i> .

The printing is too light

Problem	Probable Cause	Solution
Photos look faded.	The image capture system needs adjustment.	Color settings might not be optimal. Adjust color settings. Refer to documentation for the image capture system, "Color Printing" in your printer's <i>Installation and Administrator's Guide</i> , and to "Color Adjustment Tab" in your printer's <i>Driver Guide</i> .
The printing is very light.	The ribbon is loaded incorrectly.	Load the print ribbon correctly. Refer to " Load the Print Ribbon " on page 19 .
	The card was previously printed and has topcoat on it.	Print only new cards. Refer to "Cards" in your printer's <i>Installation and Administrator's Guide</i> .
	The printhead is not installed correctly.	Contact your service provider for instructions on installing the printhead correctly.
	The printhead power is too low.	Log on to the Printer Manager as a WebAdmin. Open the Printer Settings > Print menu. Increase the YMCPower setting, and press the Set Current button to save your changes.

The printing is too dark

Problem	Probable Cause	Solution
The card shows wrinkles in darkly colored areas.	The card's images or large blocks of color include very dark areas.	Change the design to use smaller areas of dark color.
	The printhead is not aligned correctly.	Contact your service provider.
All color printing is darker than intended.	Color adjustment is too dark. Using different card stock changes the appearance of printed cards.	Change the color adjustment settings.

The monochrome printing has flaws

Problem	Probable Cause	Solution
Text has broken (partly printed) characters.	The monochrome (K) power setting is balanced to print both fine text and bar codes.	If the card does not include a bar code, increase the monochrome intensity. If the card includes fine text and bar codes, change the text to improve printing. Refer to "Monochrome Printing" in the printer's <i>Installation and Administrator's Guide</i> .
	The text is formatted to print with color, and the card is being printed with monochrome ribbon.	Contact your service provider. Format text to print black so the text is not dithered.
Printing is uneven or is missing in some areas.	The monochrome (K) power setting is too low. The cards require a different setting.	Increase the monochrome intensity. Find a balance between printing all card data and causing wrinkles.
A black-and-white image prints using the color panels.	The Windows Picture Print Wizard or Picture and Fax Viewer is printing the file. Many applications use the Windows tool to preview and print graphics. The tool does not render to true black and white.	Use another application, such as ID software or Microsoft Word, to create the card.

Magnetic Stripe Problems

To begin troubleshooting a magnetic stripe problem, first print a magnetic stripe test card from the Printer Manager or the driver. For the steps to follow, refer to the “Printer Manager” section of the printer’s *Installation and Administrator’s Guide* or “Printing a Driver Sample Card” in the card printer’s *Driver Guide*.

The printer uses the coercivity set using the LCD panel or the Printer Manager, and the data format set using the Printer Manager.

Problem	Solution
Cards are not loaded correctly.	Load cards with the magnetic stripe down and toward the right side of the printer. Refer to “Load Cards” on page 18.
Cards do not have a magnetic stripe.	Load magnetic stripe cards in the input hopper. If the cards have a magnetic stripe, check the quality of the cards. Change card stock, if needed.
The card has dirt or damage on the magnetic stripe.	Encode and print the card again. If the message appears again, run a cleaning card to clean the magnetic stripe head. Refer to “Run a Cleaning Card” on page 30.
The magnetic stripe on the card is low coercivity material and the High Coercivity setting is selected.	To use the cards you have, select low-coercivity encoding. Refer to the Printer Manager “Printer Setting Menu” in the <i>Installation and Administrator’s Guide</i> for more information. To encode with high coercivity, obtain cards manufactured for high-coercivity encoding. Refer to “Print a Test Card” on page 17.
Message 105 displays. The magnetic stripe on the card is high coercivity material and the Low Coercivity setting is selected.	To use the cards you have, select high-coercivity encoding. Refer to the Printer Manager’s “Printer Setting Menu” in the <i>Installation and Administrator’s Guide</i> for more information. To encode with low coercivity, obtain cards manufactured for low-coercivity encoding.
The data for this job includes characters not allowed by the magnetic stripe format selected for the track.	Cancel the current print job. Make sure that you know what data is allowed on the track. Change the data to be encoded, and resend the print job. Refer to “Magnetic Stripe Design” in the printer’s <i>Installation and Administrator’s Guide</i> for more information.

Problem	Solution
<p>The magnetic stripe data was sent in an encoding format not supported by the track.</p>	<p>Check the encoding format setting for the tracks by using Printer Manager. Refer to the Printer Manager's "Printer Setting Menu" in the <i>Installation and Administrator's Guide</i>. Make sure that the application is using the selected encoding format for the track.</p> <p>If the application and track are set to the same format, and the message appears repeatedly, contact the application provider for assistance.</p>
<p>The application sent track data for a track not supported by the magnetic stripe module.</p>	<p>Check the type of magnetic stripe option in the printer.</p> <p>If the printer label indicates a 3-track ISO module, you can send data for tracks 1, 2, and 3.</p> <p>If the printer label indicates a single-track JIS module, you can send data for track 1.</p> <p>The magnetic stripe option and cards must be capable of accepting and encoding each track of data the card production software sends.</p>

Use Advanced Troubleshooting Tools

The Printer Manager provides access to card design settings and additional troubleshooting tools. Refer to "Printer Manager" in the printer's *Installation and Administrator's Guide* for more information. Printer Manager also allows you to perform advanced troubleshooting with the guidance of your service provider.

Card Jams

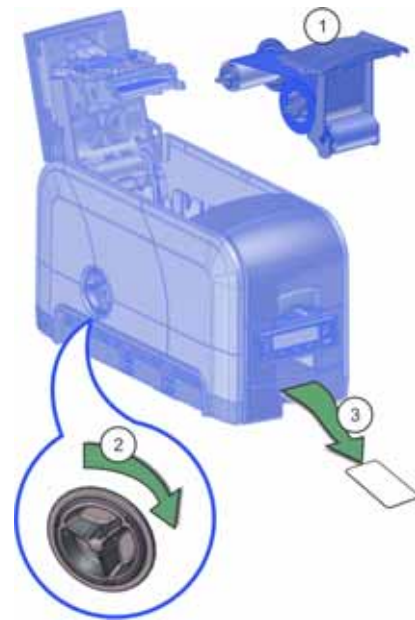
The card did not reach the position for the next action, such as printing or ejecting the card.

You usually can resolve the error by pressing the USER button so that the printer displays **Ready**. If the error persists, do the following to remove the card from the printer.

1. Open the printer.
2. Remove the print ribbon cartridge.
3. Turn the manual advance knob to move the jammed card until it is accessible from the rollers.
4. Remove the card.
5. Replace the ribbon cartridge and close the printer.
6. Press the USER button on the printer or click **Retry** in the message box.

HINTS & TIPS

Check the ribbon to make sure that it is not torn. Refer to [“109: Print ribbon problem”](#) on [page 58](#) to repair or replace the ribbon, if needed.



Messages and Conditions

When the printer cannot process the card sent, it issues a condition. The LCD panel on the front panel shows these conditions. If your system uses the XPS Card Printer Driver, the printer driver also displays the condition as a message on the PC. In a shared printer environment, messages might differ slightly from the messages and conditions described in this section.

- [Messages on the Printer LCD](#)
- [Messages from the XPS Card Printer Driver on the PC on page 54](#)
- [Messages from Printer Manager on page 54](#)
- [Other Messages on page 54](#)

Messages on the Printer LCD

All messages are associated with a print job. The printer issues messages that focus on recovering from problems.

- The printer displays a message number and a short description for each message.
- If more than one message was issued, the next message displays after you correct the problem and press the USER button.
- The lights on the front panel flash while messages display on the LCD panel.

No.	LCD Message	User Light	Supply Light	Card Light	Sound
–	Close and lock doors	Color Cycle	Off	Off	Error
100	Request not supported	Amber Flash	Off	Off	Error
101	Job could not complete	Amber Flash	Off	Off	Error
102	Card not in position	Amber Flash	Off	Amber Flash	Error
103	Printer problem	Amber Flash	Off	Off	Error
104	Critical problem	Amber Flash	Amber Flash	Amber Flash	Error
105	Magstripe data error	Amber Flash	Off	Off	Error
106	Magstripe data not found	Amber Flash	Off	Amber Flash	Error
107	Magstripe read data error	Amber Flash	Off	Off	Error

No.	LCD Message	User Light	Supply Light	Card Light	Sound
108	Magstripe read no data	Amber Flash	Off	Amber Flash	Error
109	Print ribbon problem	Amber Flash	Off	Off	None
110	Print ribbon out or missing	Amber Flash	Off	Off	Warning
111	Card not picked	Amber Flash	Off	Amber Flash	Warning
112	Card hopper empty	Amber Flash	Off	Amber Flash	Warning
113	Close cover to continue	Amber Flash	Off	Amber Flash	Attention
114	Cover opened during job	Amber Flash	Off	Off	Error
116	Magstripe not available	Amber Flash	Off	Off	Error
117	Reader not available	Amber Flash	Off	Off	Error
118	Print ribbon type problem	Amber Flash	Off	Off	None
119	Print ribbon not supported	Amber Flash	Off	Off	None
120	User paused the printer	Amber Flash	Off	Off	Warning
121	Print ribbon not identified	Amber Flash	Off	Off	None
122	Magstripe format problem	Amber Flash	Off	Off	Error
123	Insert new card side 1 up	Amber Flash	Off	Amber Flash	None
124	Insert same card side 2 up	Amber Flash	Off	Amber Flash	None
149	Option not installed	Amber Flash	Off	Off	Error
150	Print while unlocked	Amber Flash	Off	Off	Error
151	Failed to lock	Amber Flash	Off	Off	Error
152	Insert new card side 2 up	Amber Flash	Off	Off	Warning
153	Insert same card side 2 up	Amber Flash	Off	Off	Warning
170	Insert new card side 1 up	Amber Flash	Off	Off	Warning
171	Insert same card side 1 up	Amber Flash	Off	Off	Warning
172	Insert Cleaning Card	Amber Flash	Off	Off	Warning
173	Improper Shutdown	Amber Flash	Off	Off	Warning

Messages from the XPS Card Printer Driver on the PC

- The Card Printer Driver displays the same messages as those on the printer LCD panel. The messages that display on the PC provide additional information about the condition that caused the message and contain recovery instructions. Click the appropriate button in the message box to clear the message.
- Messages display on the PC that sent the card print job.
- If you cancel a job at the printer, the message is removed from the PC. Any additional messages for the canceled job (for example, for a broken ribbon) do not display on the PC.
- Messages might be in the background, behind the application sending the card. On some operating systems, the message appears in the status bar. Click the blinking Explorer (folder) icon in the status bar to open the message.
- If more than one message was issued, the next message displays after you close the current message.
- If there is more than one card printer installed on the PC, messages display one at a time. The title bar of each message shows the printer name.
- If there is more than one card printer installed on the PC and each has issued errors, the printer driver displays the messages received, even if you cleared the error at the printer.
- The driver can issue messages that do not display on the printer LCD panel. Refer to [“Driver-Only Messages” on page 65](#) and [“Driver SDK Messages” on page 67](#) for a list of these messages.

Messages from Printer Manager

The Printer Manager issues messages that display in a web browser window. Click **Continue** in Printer Manager to continue working with the printer. Refer to *“Printer Manager”* in your printer’s *Installation and Administrator’s Guide*.

Other Messages

- The card production application you use also may display messages.
- Other printers can cause messages if more than one model of card printer is installed.

Respond to Messages

You can respond to printer messages using the printer front panel buttons or by clicking the appropriate response in the message box displayed by the Card Printer Driver on the PC.

Printer Messages

The following messages display on the printer LCD panel and in a message box on the PC that issued the card print job when you use the Card Printer Driver.

100: Request not supported

The printer does not support the personalization being requested for the card. The card will be canceled.

Change the card data to match the printer's options and settings, or print to a printer that is configured to support the personalization being requested.

Press the **USER** button on the printer, or click **OK** in the message box to clear the message.

101: Job could not complete

The card took too much time to complete.

The card will be canceled.

Press the **USER** button on the printer, or click **OK** in the message box to clear the message.

102: Card not in position

The card is not positioned in the printer correctly.

1. Open the printer and remove the ribbon cartridge.
2. Turn the knob to remove the card.
3. Replace the ribbon cartridge and close the printer.

Press the **USER** button on the printer. In the message box, click **Retry**, or click **Cancel** to cancel the card.

103: Printer problem

The printer had an error. The card will be canceled.

1. Press the printer POWER button to power off the printer.
2. Press the POWER button again to power on the printer.

Click **OK** in the message box to clear the message.

104: Critical problem

The printer had a serious error. The card will be canceled.

1. Press the printer POWER button to power off the printer.
2. Request service.

The system must remain powered off.

Click **OK** in the message box to clear the message.

105: Magstripe data error

The printer failed to verify that the correct magnetic stripe data was written on the card.

1. Make sure that you are using magnetic stripe cards that match the printer settings.
2. Make sure that the cards are placed in the printer correctly.

Press the USER button on the printer. In the message box, click **Retry**, or click **Cancel** to cancel the card.

HINTS & TIPS

- The card might have been turned the wrong way.
- The card might not have a magnetic stripe.

106: Magstripe data not found

The printer did not find magnetic stripe data on card.

1. Make sure that you are using magnetic stripe cards that match the printer settings.
2. Make sure that the cards are placed in the printer correctly.

Press the **USER** button on the printer. In the message box, click **Retry**, or click **Cancel** to cancel the card.

HINTS & TIPS

- The card might not match printer settings or the data sent.
- Ask the system administrator to verify that the card, the data, and the printer settings match.

107: Magstripe read data error

The printer failed to read the magnetic stripe data from the card. The card will be canceled.

1. Make sure that you are using magnetic stripe cards that match the printer settings.
2. Make sure that the cards are placed in the printer correctly.

Press the **USER** button on the printer, or click **OK** in the message box to clear the message.

HINTS & TIPS

- The data might use a different format than the current printer setting.
- Ask the system administrator to verify that the card, data, and printer settings match.

108: Magstripe read no data

The printer did not find any magnetic stripe data on card. The card will be canceled.

1. Make sure that you are using magnetic stripe cards that match the printer settings.
2. Make sure that the cards are placed in the printer correctly.

Press the **USER** button on the printer, or click **OK** in the message box to clear the message.

HINTS & TIPS

- The card might have been turned the wrong way.
- The card might not have a magnetic stripe.

109: Print ribbon problem

The print ribbon is not moving properly.

1. Open the printer and remove the ribbon cartridge.
2. Reposition, repair, or replace the ribbon and advance the repaired area one full turn.
3. Replace the ribbon cartridge and close the printer.

Press the **USER** button on the printer. In the message box, click **Retry**, or click **Cancel** to cancel the card.

110: Print ribbon out or missing

The printer does not have usable ribbon. To complete the current card:

1. Open the printer and remove the ribbon cartridge.
2. Install a new ribbon and cleaning roller.
3. Replace the cartridge and close the printer.

Press the **USER** button on the printer. In the message box, click **OK**, or click **Cancel** to cancel the card.

HINTS & TIPS

Used ribbon has negative images of printed data. To keep the data confidential, follow your company policy to discard used ribbon.

111: Card not picked

The printer did not pick a card. To complete the current card:

For printers with an input hopper, open the input hopper, add or reposition cards, and close the hopper.

For printers with single card feed, push the card in until the printer picks it.

Press the **USER** button on the printer. In the message box, click **OK**, or click **Cancel** to cancel the card.

112: Card hopper empty

The printer did not detect cards in the input hopper.

Add cards to the input hopper.

Press the **USER** button on the printer. In the message box, click **OK**, or click **Cancel** to cancel the card.

113: Close cover to continue

The printer cover must be closed to print.

Push down on the cover to latch it.

Press the **USER** button on the printer. In the message box, click **OK**, or click **Cancel** to cancel the card.

HINTS & TIPS

Make sure that the ribbon cartridge is installed properly with the cartridge handle even with the edges of the printer.

114: Cover opened during job

The printer cover was opened while printing.

Push down on the cover to latch it.

Press the **USER** button on the printer. In the message box, click **Retry**, or click **Cancel** to cancel the card.

HINTS & TIPS

Make sure that the ribbon cartridge is installed properly with the handle even with the edges of the printer.

116: Magstripe not available

The printer does not have a magnetic stripe option. The card will be canceled.

Remove magnetic stripe data from the card or use a printer that has a magnetic stripe option installed.

Press the **USER** button on the printer, or click **OK** in the message box to clear the message.

HINTS & TIPS

To remove magnetic stripe data, you or your system administrator may need to:

- Clear a check box in the card production application.
- Change the font from Mag Track X XPS Card Printer to a printable font such as Arial, Verdana, or Calibri. Refer to “Magstripe Formats” in your printer’s *Installation and Administrator’s Guide*.

117: Reader not available

The printer does not support the personalization being requested for the card. The card will be canceled.

Change the card data to match the printer’s options and settings or print to a printer that is configured to support the personalization being requested.

Press the **USER** button on the printer, or click **OK** in the message box to clear the message.

HINTS & TIPS

To remove the reader request, you or your system administrator may need to clear a check box in the card production application.

118: Print ribbon type problem

The printer cannot use the ribbon installed. The card will be canceled.

Use ribbon designed for this printer.

Press the **USER** button on the printer, or click **OK** in the message box to clear the message.

HINTS & TIPS

- Purchase ribbon from your dealer or authorized reseller.
- Check the website for newer firmware that supports new ribbon types.

119: Print ribbon not supported

The printer cannot use the ribbon installed. The card will be canceled.

Use ribbon designed for this printer.

Press the **USER** button on the printer, or click **OK** in the message box to clear the message.

HINTS & TIPS

- Purchase ribbon from your dealer or authorized reseller.
- Check the website for newer firmware that supports new ribbon types.

120: User paused the printer

The printer was paused while printing.

To complete the current card press the printer's **USER** button.

In the message box, click **OK** to clear the message and complete the current card, or click **Cancel** to cancel the card.

HINTS & TIPS

- If the user pressed the **USER** button for several seconds, the card has been canceled.
- If this message occurs often, ask your system administrator to set the button sensitivity to a lower value.

121: Print ribbon not identified

The printer cannot use the ribbon installed. The card will be canceled.

Use ribbon designed for this printer.

Press the USER button on the printer, or click **OK** in the message box to clear the message.

HINTS & TIPS

Ask your dealer or authorized reseller for a replacement.

122: Magstripe format problem

The magnetic stripe data sent does not match the format set in the printer. The card will be canceled.

Press the USER button on the printer, or click **OK** in the message box to clear the message.

123: Insert new card side 1 up

1. Insert a new card in the printer with side 1 facing up.
2. If the card is not immediately picked, press the printer's USER button or click **OK**.

Click **Cancel** in the message box if you want to cancel the card.

124: Insert same card side 2 up

1. Take the card from the printer.
2. Turn the card over end to end so side 2 is facing up.
3. Insert the card in the printer.
4. If the card is not immediately picked, press the printer's USER button or click **OK**.

Click **Cancel** in the message box if you want to cancel the card.

149: Option not installed

The printer does not support the personalization being requested for the card. The card will be canceled.

Change the card data to match the printer's options and settings, or print to a printer that is configured to support the personalization being requested.

Press the USER button on the printer, or click **OK** in the message box to clear the message.

HINTS & TIPS

Don't include references in the card format to hardware that cannot be accessed by the system. For more information, refer to your ID software documentation or ask your system administrator.

150: Print while unlocked

The printer is unlocked. The card will be canceled.

Make sure that all access doors are closed securely and locked.

Click **OK** in the message box to clear the message.

151: Failed to lock

An attempt to lock the printer failed. The card will be canceled.

1. Make sure that all access doors are closed securely.
2. Try locking the printer again.

Click **OK** in the message box to clear the message.

152: Insert new card side 2 up

1. Turn a new card over end to end so side 2 is facing up.
2. Insert the card in the printer.
3. If the card is not immediately picked, press the printer's USER button or click **OK**.

Click **Cancel** in the message box if you want to cancel the card.

153: Insert same card side 2 up

1. Take the card from the printer and turn it over end to end so side 2 is facing up.
2. Insert the card in the printer.
3. If the card is not immediately picked, press the printer's USER button or click **OK**.

Click **Cancel** in the message box if you want to cancel the card.

170: Insert new card side 1 up

1. Insert a new card in the printer with side 1 facing up.
2. If the card is not immediately picked, press the printer's USER button or click **OK**.

Click **Cancel** in the message box if you want to cancel the card.

171: Insert same card side 1 up

1. Take the card from the printer and turn it over end to end so side 1 is facing up.
2. Insert the card in the printer.
3. If the card is not immediately picked, press the printer's USER button or click **OK**.

Click **Cancel** in the message box if you want to cancel the card.

172: Insert cleaning card

1. Insert cleaning card.
2. If the card is not immediately picked, press the printer's USER button or click **OK**.

Click **Cancel** in the message box if you want to cancel the cleaning card.

173: Improper shutdown

Always use the power button to power off the printer.

Click **OK** in the message box to clear the message.

Driver-Only Messages

The following messages are issued by the Card Printer Driver and display in a message box on the PC that sent the card print job. These messages do not display on the printer LCD panel.

500: The printer is not available

The computer cannot communicate with the printer. To complete the current card:

1. Make sure that the printer is powered on and in the **Ready** state.
2. Make sure the printer is connected to the computer using a USB or network cable, but not both.

When the printer is ready, click **OK**.

Click **Cancel** if you want to cancel the card

501: The printer connection was lost

The computer lost communications with the printer during printing. The card will be canceled.

1. Make sure the printer is powered on.
2. Make sure the printer connection to the computer is secure.

Click **OK** to clear the message.

502: The card data is missing or is not usable

The printer driver has detected invalid or missing data. The card will be canceled.

Make sure the data being sent is formatted properly and matches the options and settings in the printer.

Click **OK** to clear the message.

504: The card data is missing or is not usable

The printer driver has detected invalid or missing data. The card will be canceled.

Make sure the data being sent is formatted properly and matches the options and settings in the printer.

Click **OK** to clear the message.

505: USB communication issue

An important driver component is not running. The card will be canceled.

1. Restart the computer. The component should start automatically.
2. If this message is displayed after restarting, notify your printer support contact.

Click **OK** to clear the message.

506: A card is currently processing

The printer is busy processing an interactive job. The card will be canceled.

Wait until the current card is complete and then try again.

Click **OK** to clear the message.

507: The printer is unlocked

The printer must be locked to print.

To complete the current card make sure that all access doors are closed securely and locked.

Click **OK** to clear the message, or click **Cancel** to cancel the card.

508: The printer is shutting down

The printer is shutting down or resetting. The card will be canceled.

When printer is powered back on, try again.

Click **OK** to clear the message.

509: The printer is offline or suspended

The printer must be online to print.

To complete the current card press the printer's **USER** button until the printer returns to the **Ready** state.

Click **OK** to clear the message, or click **Cancel** to cancel the card.

510: The printer is unlocked

The printer must be locked to resume printing.

Make sure that all access doors are closed securely and locked.

Click **OK** to clear the message, or click **Cancel** to cancel the card.

Driver SDK Messages

The following messages are issued if you are using the Card Printer Driver Software Development Kit (SDK) to define your card printing. The messages display in a message box on the PC that issued the card print job. These messages do not display on the printer LCD panel.

511: Cannot lock or unlock the printer. Locks are not installed.

Click **OK** to clear the message.

512: Cannot lock or unlock the printer. The password is incorrect or invalid.

Click **OK** to clear the message.

513: Cannot lock or unlock the printer. The printer is busy.

Click **OK** to clear the message, or click **Cancel** to cancel the card.

514: Cannot lock or unlock the printer. The cover is open.

Click **OK** to clear the message, or click **Cancel** to cancel the card.

515: Failed to lock or unlock the printer. The locks did not function.

Click **OK** to clear the message.

